

## LADOIRE II Hyperbolic 15.30 Tourbillon Double flashing seconds (Helvet Mechanic)



GREEN DAY



OUT OF THE BLUE

Movement base manufactured by LADOIRE / Éric Coudray and his team, developed in 2020 (Producer, TecEbauches SA).

Flying tourbillon, silicon escapement, caliber 15.30 Helvet Mechanic, 29.50 mm diameter, 11.95 mm height.

52° lift angle, 21'600 alt/h frequency, power torque 950 grams at the barrel.

In-house development of the cogs on 5 additional mobiles, for the two flashing seconds indicators 15.30.

Bridges with T-type geometry, for a flatness optimization on the escapement.

72 hours power reserve.

Titanium case (TA6V GRADE 5 NORM WNR 3.7165), 316LX stainless steel screws with gold bezel spacer and back.

# LADDOIREN

FUTURBELONGSTOYOU

1.61803399

## GREEN DAY



Silicon escapement. Circle of maintenance movement, with variable fall. Matching the green color of the dials.

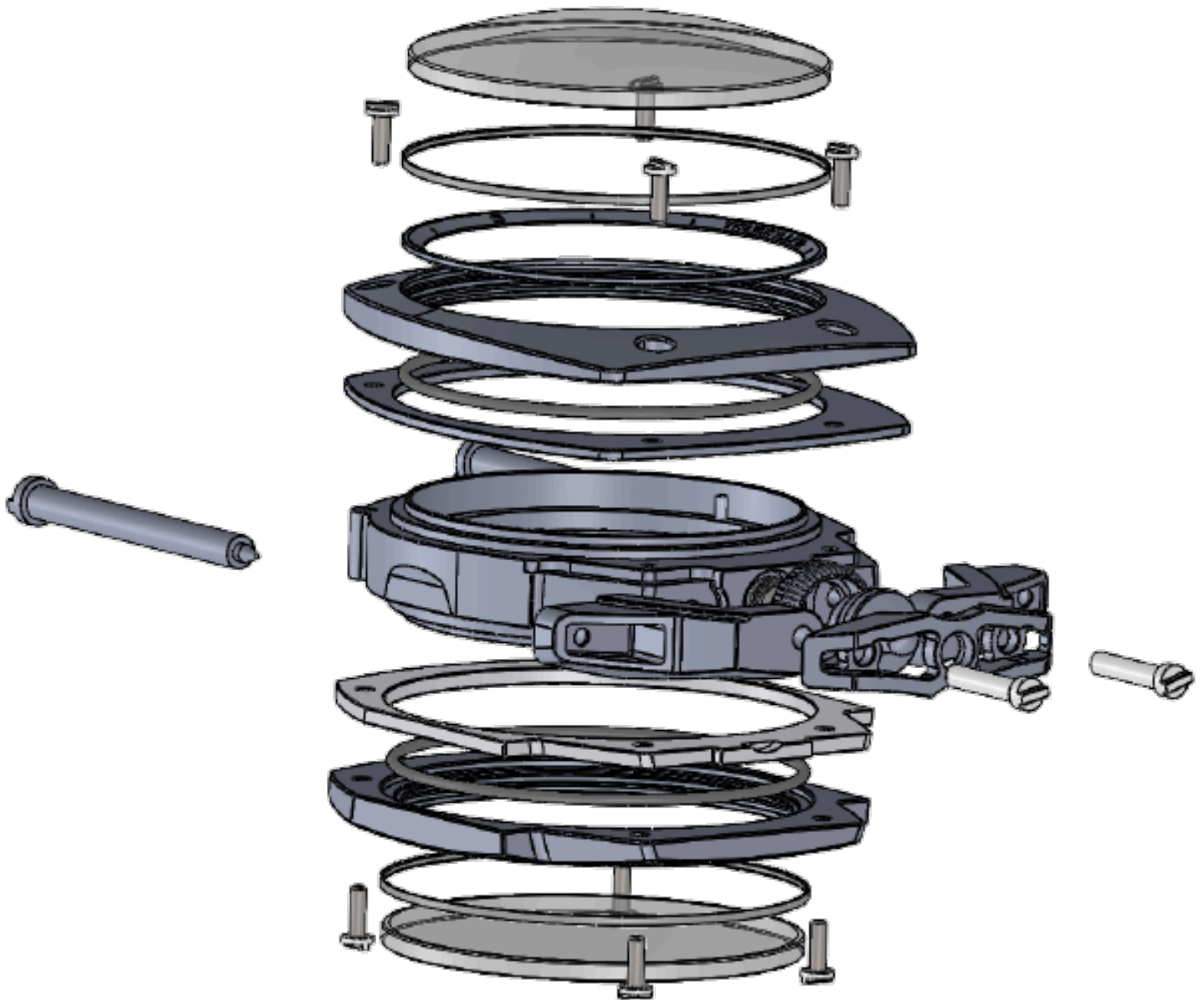
## OUT OF THE BLUE



Silicon escapement. Circle of maintenance movement, with variable fall. Matching the blue color of the dials.

# LADDOIRE

FUTURBELONGSTOYOU  
1.61803399

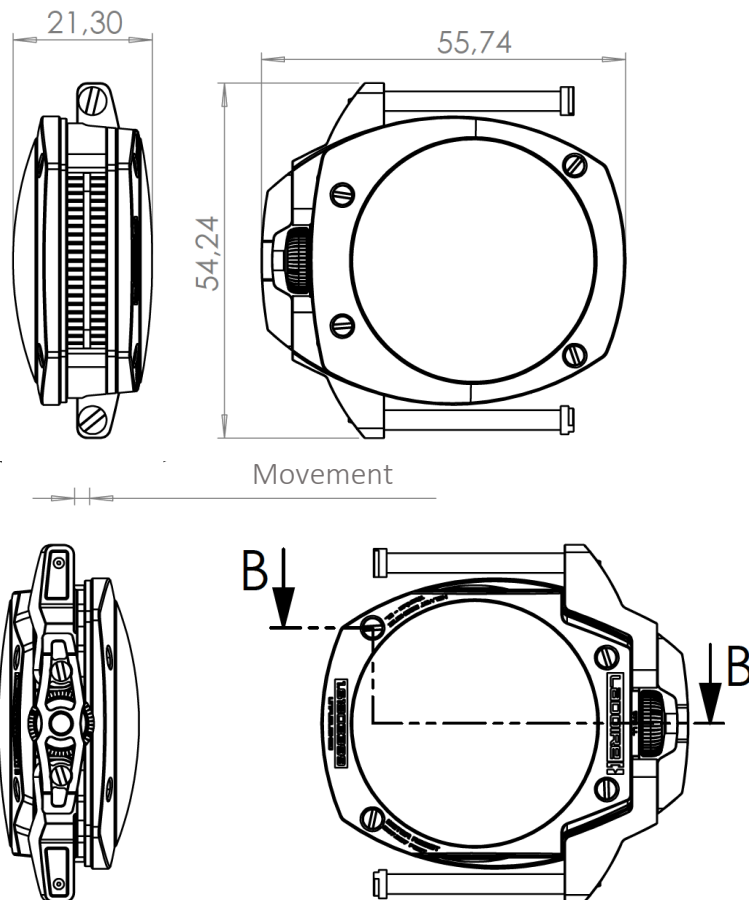


Case structure, technical view of the case's stacking and geometry, with gold bezel spacer and back.  
316LX stainless steel screws.

# LADDOIREN

FUTURBELONGSTOYOU

1.61803399



The development of our case required more than 1 500 hours of teamwork at the research department.

The single-arm horn innovation on two positions at 0° and 13°, allows a thin ergonomic adjustment and an ideal support on our client's wrist. The bracelet consists of four parts per strand (at 12 o'clock and 6 o'clock). Its inserts, one in Titanium and the other in an organic shape memory material, required 300 hours of work and development.

Single-arm horn system, Helvet Mechanic innovation.

Variable adjustments, thin adaptation to the wrist of its owner, from 0° to 13°.

Horns with range positioning, screwed crown protection with central guide.

Crown with progressive sealing (300 meters) and guided centering.

# LADDOIREN

FUTURBELONGSTOYOU  
1.61803399

Case's view at 3 o'clock:



Case's view at 12 o'clock:



# LADDOIRE

FUTURBELONGSTOYOU  
1.61803399

Titanium buckle on a LADDOIRE II bracelet integrated to the single-arm system (Helvet Mechanic innovation).



Like the case's horn, the innovation of the single-arm buckle allows a thin ergonomic adjustment and an ideal support on our client's wrist. This buckle required more than 400 hours of development and three machining sessions before obtaining such a technicality balance.

Titanium buckle (TA6V GRADE 5 NORM WNR 3.7165), 316LX stainless steel screws.

# LADDOIRE

FUTURBELONGSTOYOU  
1.61803399

GREEN DAY



OUT OF THE BLUE



The hyperbolic counter-shape and interrupted curve dials are made of 41 components, whose stacking generates a dynamic whole.

This technique widely used in jewelry allows to play with colors, densities and finishes, bringing a strong visual identity to our dials.

The hands recall the cut-off codes of the 30's, a dear to us neoclassical touch.

This approach extends to the movements and brings harmony to the structure of the timepiece.





# LADDOIREN

FUTURBELONGSTOYOU  
1.61803399



The case is made by a master saddler, with the best skins selected by our tanner with an ancestral know-how.

A two-year warranty is given on each of our Opus. It will be renewed every two years if we have it in hand on the anniversary date of delivery. (The first delivery will be offered).

3 finishes levels will be offered to you:

Level 1: Ours, the 2021-2022 collection.

Level 2: Yours, with the possibility to change colors and finishes of the model of your choice.

Level 3: Yours, with this time the possibility to operate on the geometry of the components, as well as colors and finishes.

\*Price on request.

Helvet Mechanic Spirit